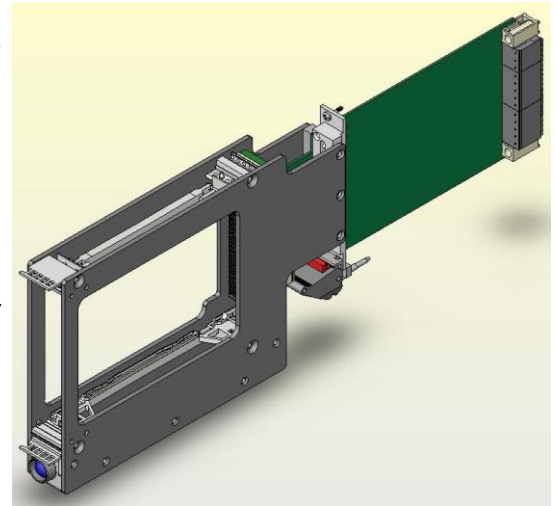


3U VPX Extender Board for Air Cooled Systems



Features

- ◆ Front panel on/off switch with RGB light pipe status indicator
- ◆ Fits enclosures designed for either .8" or 1" pitch boards
- ◆ Supports extension of either .8" or 1" pitch boards
- ◆ Onboard embedded **RuSH™** technology actively monitors Voltage and Current, and provides protective control
- ◆ IEEE1101.10/11 Inject/Eject levers aid insertion/extraction
- ◆ System reset button
- ◆ DB-15 Port for attachment of LCD Status Display
- ◆ DB-9 Port for Serial I/O communications to remote computer
- ◆ Voltage and Current shutdown thresholds user settable
- ◆ Robust extended card cage design for board extension
- ◆ Provision for remote cooling fan
- ◆ Fully assembled, wired and tested



Overview

Designed specifically for the Open VPX market, Dawn's EXB-7471 is designed to provide a safe and secure environment for your boards under test. Models are available to support signals for either VME over VPX (VITA 46.1) or Differential pairs (VITA 65).

Dawn's embedded RuSH™ (Rugged System Health Monitor) technology provides the "smarts" which enables monitoring of critical system parameters including Voltage, Current, and control of power shutdown of all voltage rails.

This product can be used to quickly and easily measure and profile the normal current used on each voltage rail. Thresholds can be set to instantly shut off power on any voltage rail should current limits be exceeded by any board under test effectively protecting both the board and system from damage caused by short circuits.

Switches and I/O connectors provided for On/Off, System Reset, LCD Display, Fans, and Serial Communications.

The EXB-7471 is a state-of-the-art VPX extender board for today's state-of-the-art VPX systems.

Specifications

Mechanical

Card Cage Construction: Aluminum extrusions and machined plate
Card Guide style and Mounting: 1101.10/11 compliant
Connector: Per 3U VPX Standard
Dimensions: 0.8 inch pitch 6U x 160mm form factor
Weight: ~3 lbs./ ~1.36/ kg.
Inject & Eject: IEEE1101.10/11 compliant inject and eject features
Covers/Side plates: Designed to allow access to both sides of DUT.

Electrical

PCB Design: 10-Layer, 2 oz. copper, high performance
Input Voltage: Per VITA 46
Input Current: Designed to support maximum allowed per VPX spec
Voltage Monitor: 6-Channels, continuous, 10mV resolution
Current Monitor: 6-Channels, continuous, 0.2A to 30A in 0.1A increments
V and A High/Low Thresholds: Customer settable via RS-232
Shutdown Trigger Condition: 20% over threshold for 500mSec
Reset Time: Variable 0 to 1000mSec after all Voltage in range
Signal Type extended: Differential or single ended depending on version ordered

Environmental

Storage Temperature: -40°C to +100°C
Operating Temperature: -40°C to +85°C
Operating Humidity: Up to 98% Non-Condensing

ORDER Information: Order P/N 11-1017471

Factory will confirm feature set desired prior to entering your order.