

**FEATURES**

- 2 DC Cooling fans
- Front mounted ON/OFF and RESET switch
- 6UX220MM Card Cage
- Perforated top cover
- Choice of 2 through 12 slot backplanes
- 350 watt power supply
- Fully wired and ready to use

This development chassis can function as a VME mainframe but is intended for table-top laboratory environments where cost, flexibility and rapid availability are prime considerations.

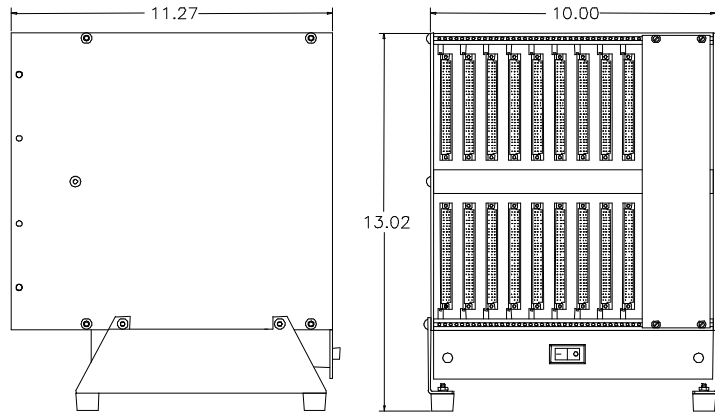
It is a versatile system for software development or board test in that it is small enough to carry around from one test environment to another, yet big enough to tackle most development requirements.

The chassis features a power supply system, cooling fans, a front mounted on/off switch, table-top rubber feet, perforated top cover, user choice of peripheral configuration, and user choice of from 2 to 12 slot backplanes.

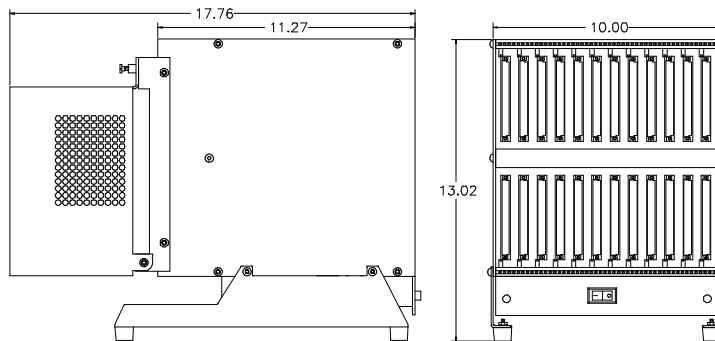
Chassis containing 10-12 slot backplanes include a rear mount power supply housing which can be easily swung down and out-of-the-way to reach the backplane for connections or tests.

Available immediately from stock, fully wired and 100% tested.

**DEV. CHASSIS WITH INTEGRAL POWER SUPPLY**



**DEV. CHASSIS WITH REAR MOUNT POWER SUPPLY**



**Physical Specifications:**

Size: with integral supply: 13.02Hx10.0Wx11.27D

With rear mount supply: 13.02Hx10.0Wx17.76D

**Weight:** With integral 350W P.S. & 9 slot BP: 11.5lbs.

**Electrical Specifications:**

Frequency: 47 to 63 Hz

Voltage: 90 to 132 VAC or 180 to 264 VAC

(autoranging available on some models)

**POWER SUPPLY OUTPUT**

VOLTAGE /WATTS	+5V	+12V	-12V
150W	25A	4A	3A
220W	30A	6A	1.5A
350W	50A	8A	4A

**Environmental Specifications:**

Cooling: 2 each 79 CFM Fans

Operating Temperature: 0 to 50°C

Storage Temperature: -20 to 85°C

Humidity: <95% non-condensing

**ORDER INFORMATION**

Select from the options shown below to complete the part number for your desired configuration. Give this order number to Dawn applications engineering to obtain a price before ordering.

**P/N 11-1006776**

