

NOTES:

1 TOLERANCE TABLE

"L" LENGTH	TOLERANCE
UNDER 36" (915mm)	±0.5" (13mm)
36" - 120" (915mm - 3050mm)	±1.0" (25mm)
120" -240" (3050mm - 6100mm)	±2.0"(51mm)

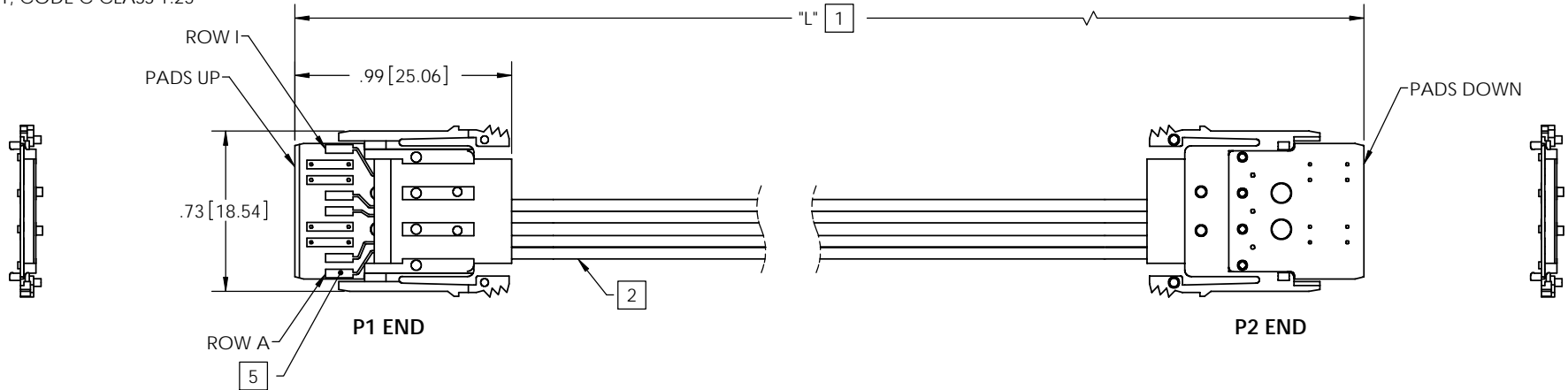
2 LABEL INCLUDES MERITEC; DATE CODE; AND PART NUMBER

3 CABLE 30 AWG, MERITEC PN 700336-01

4 RoHS COMPLIANT

5 50 MICRO-INCHES GOLD ON CARD EDGE PADS; PLATING PER ASTM B-488 TYPE 1, CODE C CLASS 1.25

REV.	ECO	DATE	DRAWN BY
A	2096-41816	11/09/2010	CWB
B	2096-41917	3/23/2011	BAW
C	2096-41937	4/15/2011	BAW



NOTE: ALL GROUNDS COMMON

PINOUT - ODD WAFER ASSEMBLY			
P1 END		P2 END	
Pos# (Pin, Row)	ASSIGN	Pos# (Pin, Row)	ASSIGN
W1-I	N/C	W1-I	N/C
W1-H	GND	W1-H	GND
W1-G	GND	W1-G	GND
W1-F	SIG	W1-B	SIG
W1-E	SIG	W1-A	SIG
W1-D	GND	W1-D	GND
W1-C	GND	W1-C	GND
W1-B	SIG	W1-F	SIG
W1-A	SIG	W1-E	SIG

MERITEC P/N	"L"
98141ODW336-006	6"
98141ODW336-012	12"
98141ODW336-018	18"
98141ODW336-024	24"

CONFIDENTIAL AND PROPRIETARY NOTICE
 This document and the information contained in it are confidential property of Meritec. The document and information are provided to you for your review and evaluation and must not be furnished or disclosed to other without prior written consent by an authorized representative of Meritec.

©Meritec 2009
 All rights reserved.

UNLESS OTHERWISE NOTED DIMENSION ARE IN INCHES (METRIC)	
.XX	.XXX
* II	* II
ANGLES ±I	FINISH:
DRAWN: C. BAUMANN	DATE: 11/09/2010
MODIFIED: BWALTERS	DATE: 4/15/2011
RELEASED:	DATE:
	SCALE: NONE

MERITEC
 A DIVISION OF ASSOCIATED ENTERPRISES
 CONFIDENTIAL PROPRIETARY INFORMATION

TITLE: **VPX-VPX, ODD WAFER ULTRA-THIN PIPE**

PROJECT NUMBER: 2096
 DOCUMENT NUMBER: 2096-0143720

SHEET: 1 OF 1
 REV: C

NOTES:

1 TOLERANCE TABLE

"L" LENGTH	TOLERANCE
UNDER 36" (915mm)	±0.5" (13mm)
36" - 120" (915mm - 3050mm)	±1.0" (25mm)
120" -240" (3050mm - 6100mm)	±2.0"(51mm)

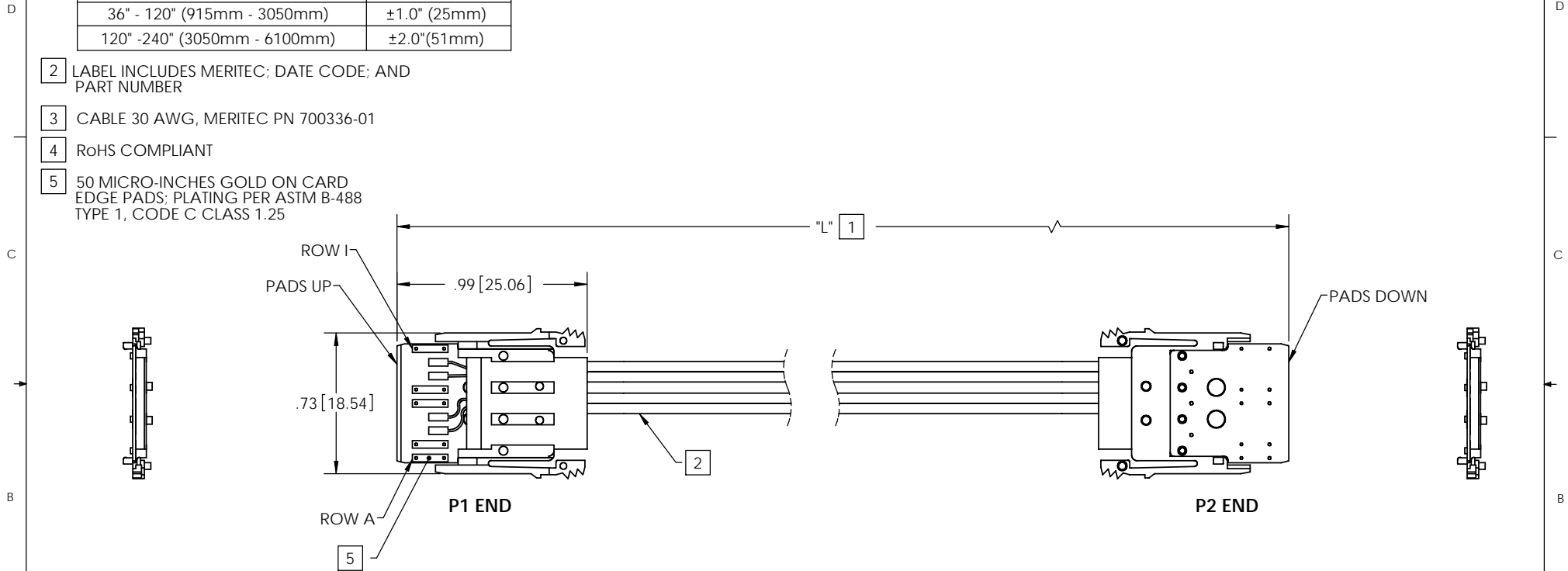
2 LABEL INCLUDES MERITEC; DATE CODE; AND PART NUMBER

3 CABLE 30 AWG, MERITEC PN 700336-01

4 RoHS COMPLIANT

5 50 MICRO-INCHES GOLD ON CARD EDGE PADS; PLATING PER ASTM B-488 TYPE 1, CODE C CLASS 1.25

REV.	ECO	DATE	DRAWN BY
A	2096-41826	11/23/2010	BAW
B	2096-41917	3/30/2011	BAW
C	2096-41937	4/14/2011	BAW



NOTE: ALL GROUNDS COMMON

PINOUT - EVEN WAFER ASSEMBLY

P1 END		P2 END	
Pos# (Pin, Row)	Assign	Pos# (Pin, Row)	Assign
W1-I	GND	W1-I	GND
W1-H	SIG	W1-D	SIG
W1-G	SIG	W1-C	SIG
W1-F	GND	W1-F	GND
W1-E	GND	W1-E	GND
W1-D	SIG	W1-H	SIG
W1-C	SIG	W1-G	SIG
W1-B	GND	W1-B	GND
W1-A	GND	W1-A	GND

MERITEC P/N	"L"
98141EVW336-006	6"
98141EVW336-012	12"
98141EVW336-018	18"
98141EVW336-024	24"

CONFIDENTIAL AND PROPRIETARY NOTICE
 This document and the information contained in it are confidential property of Meritec. The document and information are provided to you for your review and evaluation and must not be furnished or disclosed to other without prior written consent by an authorized representative of Meritec.

©Meritec 2009
 All rights reserved.

UNLESS OTHERWISE NOTED DIMENSION ARE IN METRIC/ INCHES			
.XX	.XXX	.XXXX	
* I	* I	* I	
ANGLES ±I	FINISH:		
DRAWN: BWALTERS	DATE: 11/23/2010	TITLE:	
MODIFIED: BWALTERS	DATE: 4/14/2011	VPX-VPX, EVEN WAFER ULTRA-THIN PIPE	
RELEASED:	DATE:	PROJECT NUMBER: 2096	SHEET: 1 OF 1
	SCALE: NONE	DOCUMENT NUMBER: 2096-0143715	REV: C



VPX-VPX, EVEN WAFER ULTRA-THIN PIPE

PROJECT NUMBER: 2096
 DOCUMENT NUMBER: 2096-0143715
 SHEET: 1 OF 1
 REV: C

NOTES:

1 TOLERANCE TABLE

"L" LENGTH	TOLERANCE
UNDER 36" (915mm)	±0.5" (13mm)
36" - 120" (915mm - 3050mm)	±1.0" (25mm)
120" -240" (3050mm - 6100mm)	±2.0"(51mm)

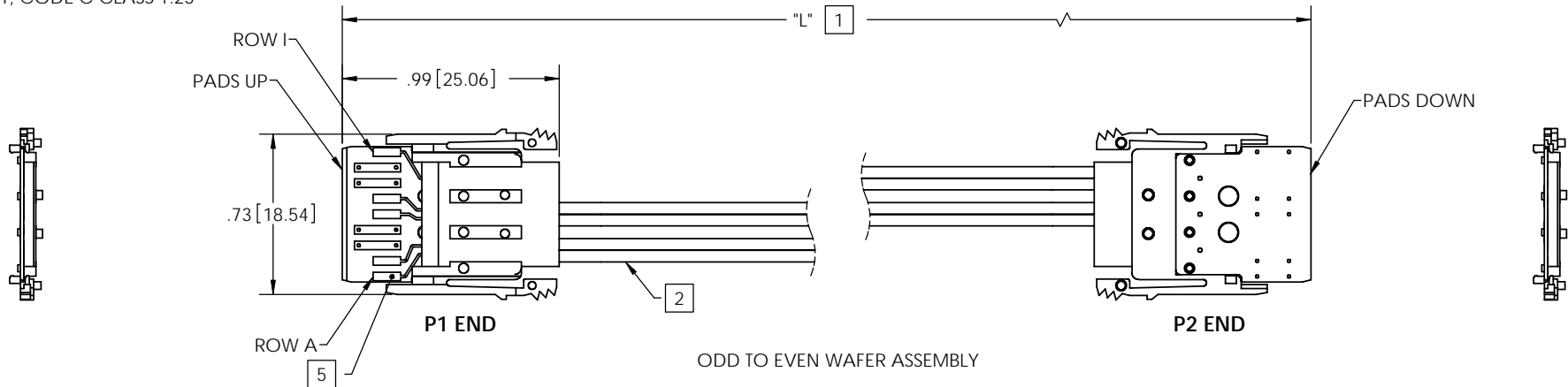
2 LABEL INCLUDES MERITEC; DATE CODE; AND PART NUMBER

3 CABLE 30 AWG, MERITEC PN 700336-01

4 RoHS COMPLIANT

5 50 MICRO-INCHES GOLD ON CARD EDGE PADS; PLATING PER ASTM B-488 TYPE 1, CODE C CLASS 1.25

REV.	ECO	DATE	DRAWN BY
A	2096-41816	11/09/2010	CWB
B	2096-41917	3/30/2011	BAW
C	2096-41937	4/15/2011	BAW



NOTE: ALL GROUNDS COMMON

PINOUT - ODD TO EVEN WAFER ASSEMBLY			
P1 END		P2 END	
Pos# (Pin, Row)	ASSIGN	Pos# (Pin, Row)	ASSIGN
W1-I	N/C	W1-I	GND
W1-H	GND	W1-F	GND
W1-G	GND	W1-E	GND
W1-F	SIG	W1-D	SIG
W1-E	SIG	W1-C	SIG
W1-D	GND	W1-B	GND
W1-C	GND	W1-A	GND
W1-B	SIG	W1-H	SIG
W1-A	SIG	W1-G	SIG

MERITEC P/N	"L"
981410EW336-006	6"
981410EW336-012	12"
981410EW336-018	18"
981410EW336-024	24"

CONFIDENTIAL AND PROPRIETARY NOTICE
 This document and the information contained in it are confidential property of Meritec. The document and information are provided to you for your review and evaluation and must not be furnished or disclosed to other without prior written consent by an authorized representative of Meritec.

©Meritec 2009
 All rights reserved.

UNLESS OTHERWISE NOTED DIMENSION ARE IN INCHES (METRIC)		
.XX	.XXX	.XXXX
* II	* II	* II
ANGLES ± I	FINISH:	
DRAWN: C. BAUMANN	DATE: 11/09/2010	
MODIFIED: BWALTERS	DATE: 4/15/2011	
RELEASED:	DATE:	
SCALE: NONE		



TITLE: VPX-VPX, ODD-EVEN WAFER ULTRA-THIN PIPE	
PROJECT NUMBER: 2096	SHEET: 1 OF 1
DOCUMENT NUMBER: 2096-0143750	REV: C

NOTES:

1 TOLERANCE TABLE

"L" LENGTH	TOLERANCE
UNDER 36" (915mm)	±0.5" (13mm)
36" - 120" (915mm - 3050mm)	±1.0" (25mm)
120" -240" (3050mm - 6100mm)	±2.0"(51mm)

2 LABEL INCLUDES MERITEC; DATE CODE; AND PART NUMBER

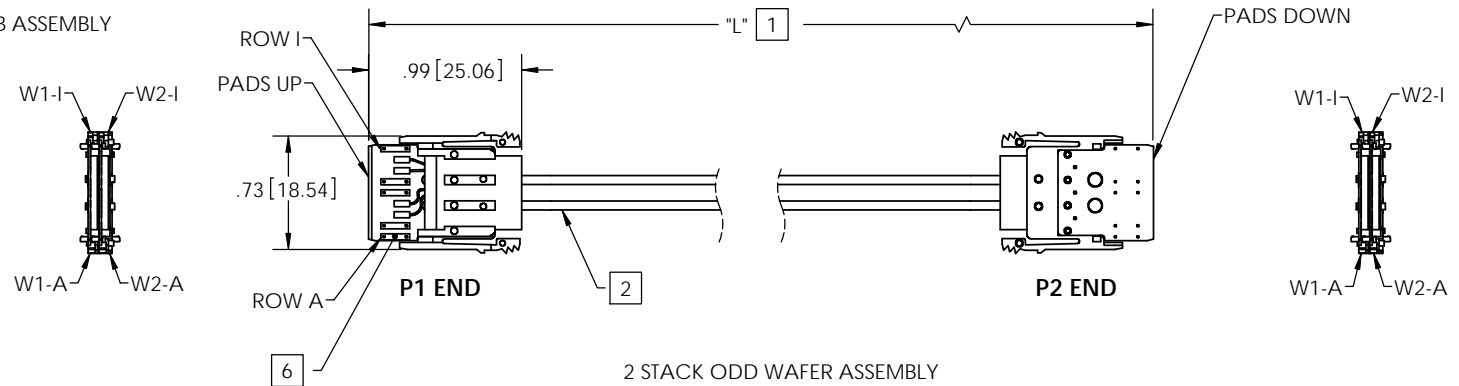
3 CABLE 30 AWG, MERITEC P/N 700336-01

4 RoHS COMPLIANT

5 ALL GROUNDS COMMON IN EACH SUB ASSEMBLY

6 50 MICRO-INCHES GOLD ON CARD EDGE PADS; PLATING PER ASTM B-488 TYPE 1, CODE C CLASS 1.25

REV.	ECO	DATE	DRAWN BY
A	2096-41816	11/09/2010	CWB
B	2096-41917	3/30/2011	BAW
C	2096-41937	4/14/2011	BAW



PINOUT - 2 STACK ODD WAFER ASSEMBLY			
P1 END		P2 END	
Pos# (Pin, Row)	ASSIGN	Pos# (Pin, Row)	ASSIGN
W1-I	N/C	W1-I	N/C
W1-H	GND1	W1-H	GND1
W1-G	GND1	W1-G	GND1
W1-F	SIG	W1-B	SIG
W1-E	SIG	W1-A	SIG
W1-D	GND1	W1-D	GND1
W1-C	GND1	W1-C	GND1
W1-B	SIG	W1-F	SIG
W1-A	SIG	W1-E	SIG
W2-I	GND2	W2-I	GND2
W2-H	SIG	W2-D	SIG
W2-G	SIG	W2-C	SIG
W2-F	GND2	W2-F	GND2
W2-E	GND2	W2-E	GND2
W2-D	SIG	W2-H	SIG
W2-C	SIG	W2-G	SIG
W2-B	GND2	W2-B	GND2
W2-A	GND2	W2-A	GND2

MERITEC P/N	"L"
98141OTP336-006	6"
98141OTP336-012	12"
98141OTP336-018	18"
98141OTP336-024	24"

CONFIDENTIAL AND PROPRIETARY NOTICE
 This document and the information contained in it are confidential property of Meritec. The document and information are provided to you for your review and evaluation and must not be furnished or disclosed to other without prior written consent by an authorized representative of Meritec.

©Meritec 2009
 All rights reserved.

UNLESS OTHERWISE NOTED
 DIMENSION ARE IN INCHES (METRIC)
 .XX
 * II * II * XXXX
 * II * II * II

ANGLES ±1	FINISH:
DRAWN: C. BAUMANN	DATE: 11/09/2010
MODIFIED: B.WALTERS	DATE: 4/14/2011
RELEASED:	DATE:



TITLE VPX-VPX ODD WAFER THIN PIPE	
PROJECT NUMBER 2096	SHEET 1 OF 1
DOCUMENT NUMBER 2096-0143727	REV C

SCALE
NONE

NOTES:

1 TOLERANCE TABLE

"L" LENGTH	TOLERANCE
UNDER 36" (915mm)	±0.5" (13mm)
36" - 120" (915mm - 3050mm)	±1.0" (25mm)
120" -240" (3050mm - 6100mm)	±2.0"(51mm)

2 LABEL INCLUDES MERITEC; DATE CODE; AND PART NUMBER

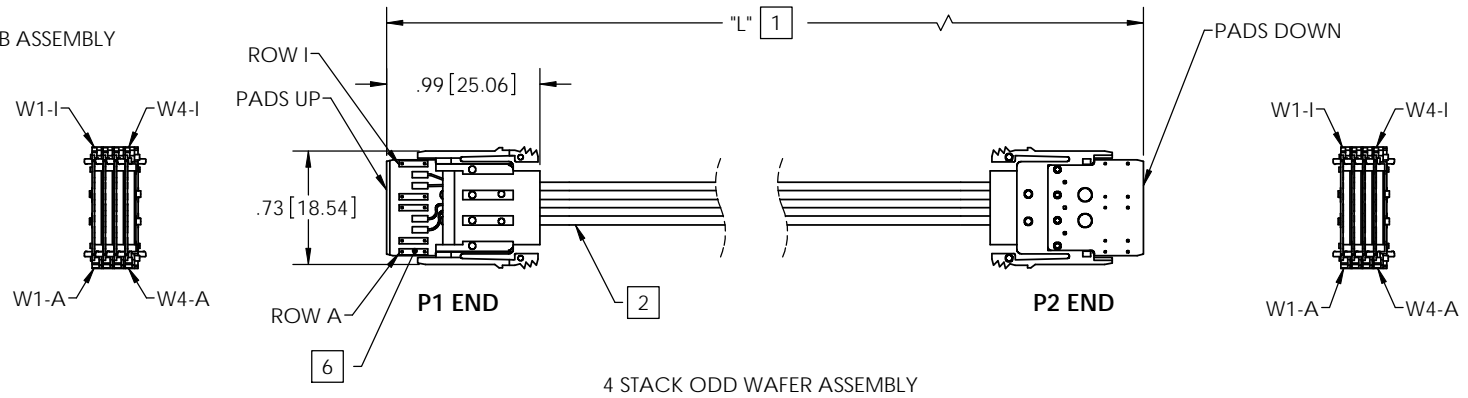
3 CABLE 30 AWG, MERITEC PN 700336-01

4 ROHS COMPLIANT

5 ALL GROUNDS COMMON IN EACH SUB ASSEMBLY

6 50 MICRO-INCHES GOLD ON CARD EDGE PADS; PLATING PER ASTM B-488 TYPE 1, CODE C CLASS 1.25

REV.	ECO	DATE	DRAWN BY
A	2096-41816	11/09/2010	CWB
B	2096-41917	3/30/2011	BAW
C	2096-41937	4/14/2011	BAW



PINOUT - 4 STACK ODD WAFER ASSEMBLY			
P1 END		P2 END	
Pos# (Pin, Row)	ASSIGN	Pos# (Pin, Row)	ASSIGN
W1-I	N/C	W1-I	N/C
W1-H	GND1	W1-H	GND1
W1-G	GND1	W1-G	GND1
W1-F	SIG	W1-B	SIG
W1-E	SIG	W1-A	SIG
W1-D	GND1	W1-D	GND1
W1-C	GND1	W1-C	GND1
W1-B	SIG	W1-F	SIG
W1-A	SIG	W1-E	SIG
W2-I	GND2	W2-I	GND2
W2-H	SIG	W2-D	SIG
W2-G	SIG	W2-C	SIG
W2-F	GND2	W2-F	GND2
W2-E	GND2	W2-E	GND2
W2-D	SIG	W2-H	SIG
W2-C	SIG	W2-G	SIG
W2-B	GND2	W2-B	GND2
W2-A	GND2	W2-A	GND2
W3-I	N/C	W3-I	N/C
W3-H	GND3	W3-H	GND3
W3-G	GND3	W3-G	GND3
W3-F	SIG	W3-B	SIG
W3-E	SIG	W3-A	SIG
W3-D	GND3	W3-D	GND3
W3-C	GND3	W3-C	GND3
W3-B	SIG	W3-F	SIG
W3-A	SIG	W3-E	SIG
W4-I	GND4	W4-I	GND4
W4-H	SIG	W4-D	SIG
W4-G	SIG	W4-C	SIG
W4-F	GND4	W4-F	GND4
W4-E	GND4	W4-E	GND4
W4-D	SIG	W4-H	SIG
W4-C	SIG	W4-G	SIG
W4-B	GND4	W4-B	GND4
W4-A	GND4	W4-A	GND4

MERITEC P/N	"L"
98141OFP336-006	6"
98141OFP336-012	12"
98141OFP336-018	18"
98141OFP336-024	24"

CONFIDENTIAL AND PROPRIETARY NOTICE
 This document and the information contained in it are confidential property of Meritec. The document and information are provided to you for your review and evaluation and must not be furnished or disclosed to other without prior written consent by an authorized representative of Meritec.
 ©Meritec 2009
 All rights reserved.

UNLESS OTHERWISE NOTED DIMENSION ARE IN INCHES (METRIC)		
.XX	.XXX	.XXXX
* I	* I	* I
ANGLES ±I	FINISH:	
DRAWN: C.BAUMANN	DATE: 11/09/2010	TITLE:
MODIFIED: BWALTERS	DATE: 4/14/2011	PROJECT NUMBER: 2096
RELEASED:	DATE:	DOCUMENT NUMBER: 2096-0143704
SCALE: NONE		SHEET: 1 OF 1
		REV: C

MERITEC
 A DIVISION OF ASSOCIATED ENTERPRISES
 CONFIDENTIAL PROPRIETARY INFORMATION

VPX-VPX ODD WAFER FAT PIPE