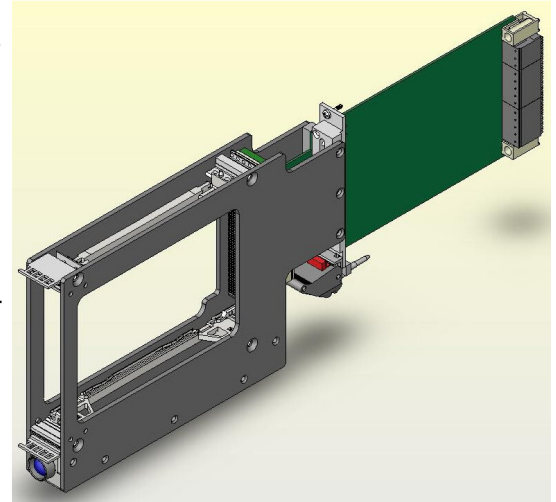


# 3U VPX Extender Board for Air Cooled Systems



## Features

- ◆ Front panel on/off switch with RGB light pipe status indicator
- ◆ Fits enclosures designed for either .8" or 1" pitch boards
- ◆ Supports extension of either .8" or 1" pitch boards
- ◆ Onboard embedded **RuSH™** technology actively monitors Voltage and Current, and provides protective control
- ◆ IEEE1101.10/11 Inject/Eject levers aid insertion/extraction
- ◆ System reset button
- ◆ DB-15 Port for attachment of LCD Status Display
- ◆ DB-9 Port for Serial I/O communications to remote computer
- ◆ Voltage and Current shutdown thresholds user settable
- ◆ Robust extended card cage design for board extension
- ◆ Provision for remote cooling fan
- ◆ Fully assembled, wired and tested



## Overview

Designed specifically for the Open VPX market, Dawn's EXB-7471 is designed to provide a safe and secure environment for your boards under test. Models are available to support signals for either VME over VPX (VITA 46.1) or Differential pairs (VITA 65).

Dawn's embedded RuSH™ (Rugged System Health Monitor) technology provides the "smarts" which enables monitoring of critical system parameters including Voltage, Current, and control of power shutdown of all voltage rails.

This product can be used to quickly and easily measure and profile the normal current used on each voltage rail. Thresholds can be set to instantly shut off power on any voltage rail should current limits be exceeded by any board under test effectively protecting both the board and system from damage caused by short circuits.

Switches and I/O connectors provided for On/Off, System Reset, LCD Display, Fans, and Serial Communications.

The EXB-7471 is a state-of-the-art VPX extender board for today's state-of-the-art VPX systems.

## Specifications

### Mechanical

**Card Cage Construction:** Aluminum extrusions and machined plate  
**Card Guide style and Mounting:** 1101.10/11 compliant  
**Connector:** Per HJ VPX Standard  
**Dimensions:** 0.8 inch pitch HJ x 160mm form factor  
**Weight:** TBD Lbs/ 0.TBD Kg.  
**Inject & Eject:** IEEE1101.10/11 compliant inject and eject features  
**Covers/Side plates:** Designed to allow access to both sides of DUT.

### Electrical

**PCB Design:** TBD-Layer, 2 oz. copper, high performance  
**Input Voltage:** Per VITA 46  
**Input Current:** Designed to support maximum allowed per VPX spec  
**Voltage Monitor:** 6-Channels, continuous, 10mV resolution  
**Current Monitor:** 6-Channels, continuous, 0.2A to 30A in 0.1A increments  
**V and A High/Low Thresholds:** Customer settable via RS-232  
**Shutdown Trigger Condition:** 20% over threshold for 500mSec  
**Reset Time:** Variable 0 to 1000mSec after all Voltage in range  
**Signal Type extended:** Differential or single ended depending on version ordered

### Environmental

**Storage Temperature:** -40°C to +100°C  
**Operating Temperature:** -40°C to +85°C  
**Operating Humidity:** Up to 98% Non-Condensing

**ORDER Information:** Order P/N 11-1017471-TBD  
 Factory will confirm feature set desired prior to entering your order.